



Pure design, Smart look, Durability



1 The 100x100/75x75 VESA plate



2 The Quick-release & Anti-Theft mechanism



3 The Weight Indicator



4 The Cable Clip



5 The Tension Controller



6 The Cable Management



7 The Tool Storage



8 The 150° stop mechanism



Dynafly

LCD Monitor Arm

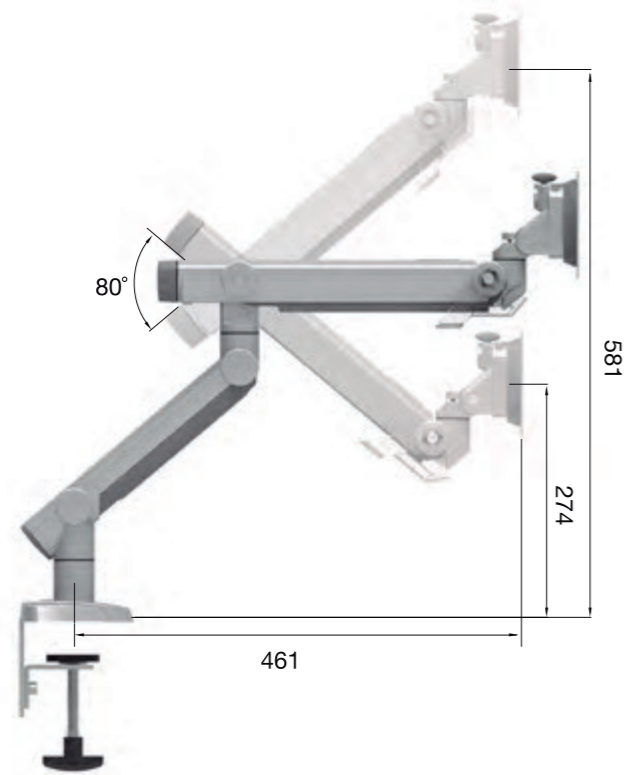
The Dynafly monitor arm comes the functionality and aesthetic design, offers the optimal ergonomic functions to users in today's office space. With a full range of adjustability, the multidirectional joints allow users to adjust monitor height, focal distance, and tilt angle easily. The innovative push-forward compressible spring mechanism plus tension controller, carries the screen weight range from 2.5kgs (5.5lbs) to 15kgs (33lbs) with easy adjustment, overwhelming any similar products on the market. Dynafly adds the necessary flexibility to adjust screens for a healthier, safer, more convenient and more comfortable work environment.

- The 100X100 / 75X75 VESA plate.
- High - capacity construction with modern aesthetic contemporary design.
- Unsurpassed screen weight range 2.5kgs (5.5lbs) ~ 15kgs (33lbs).
- Tension controller provides easy monitor balance adjustment.
- Combining of quick release and anti-theft system provide fast and easy monitor installation and effective theft prevention.
- 180° screen turning angle meets most advance IT trend.
- 150° stop mechanism avoids damage from over-rotation.
- Easy and convenient store of tools.
- Integrated cable management

LCD/TV size	Max. Load Capacity	Pan	Rotation	Tilt	Swivel	VESA	Quick Release	Lock (Antitheft kit)
≤27"	15kg (33 lbs)	150°	360°	+90° -40°	±40°	75x75mm 100x100mm	Yes	Option



Dynaflly Series



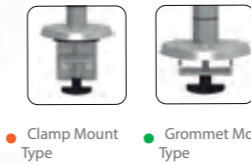
● EGDF-202
● EGDF-30 2
W152xD522xH274~581mm



Laptop Holder
EGDF-A04 (for Dynaflly Series)
W290~450xD372xH77



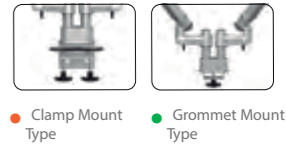
● EGDF-202DB
● EGDF-302D B
W714xD595xH290~624mm



● Clamp Mount Type ● Grommet Mount Type



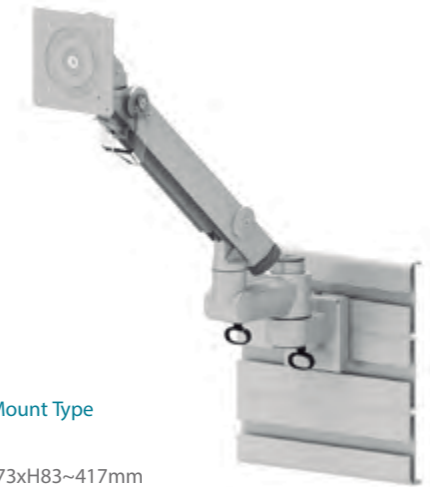
● EGDF-202D
● EGDF-302 D
W841xD114xH101~475mm



● Clamp Mount Type ● Grommet Mount Type

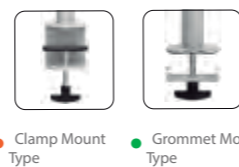
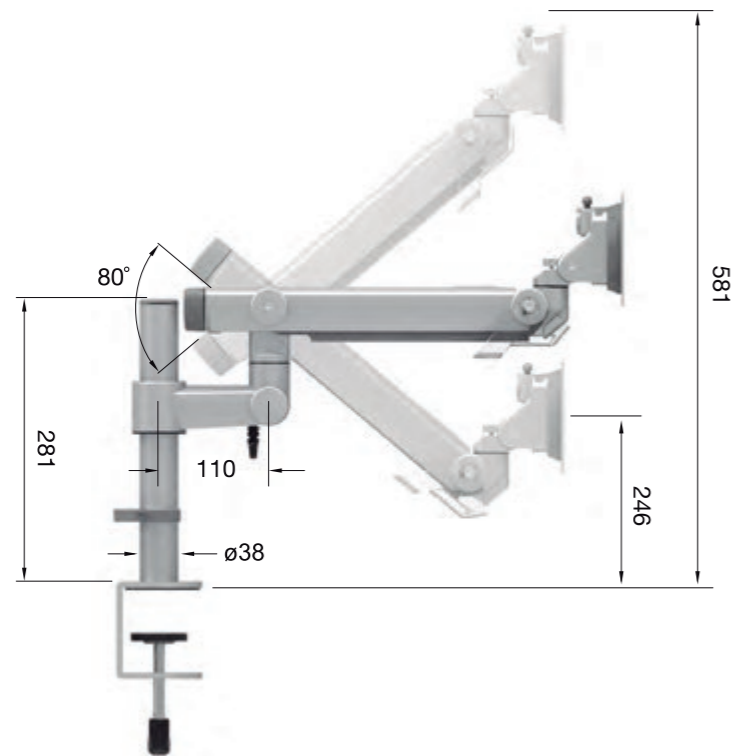


Wall Mount Type
EGDF-102
W115xD450xH100~437mm



Slat Wall Mount Type
EGDF-402
W115xD473xH83~417mm

Dynaflly Compact Series



● Clamp Mount Type ● Grommet Mount Type



● EGDC-202
● EGDC-30 2
W115xD445xH102~581mm



● EGDC-202D
● EGDC-302 D
W777xD114xH101~581mm