

# LED SERIES



## FEATURES

F-DA40



- For both of desk clamp & grommet mounting
- **Touch on/off with light dimmer function**
- **Led supply:** Osram
- **Power consumption:** 7.5w
- **Life hour:** 30000 hrs.
- **Input voltage(v):** dc-24v
- **Emitting color:** white
- **Color rendering index:** above 80
- **Color temperature:** 3000k
- **Illumination:** 1200lux (from distance 40cm)
- **Housing material:** aluminum, aluminum alloy

H-DA40



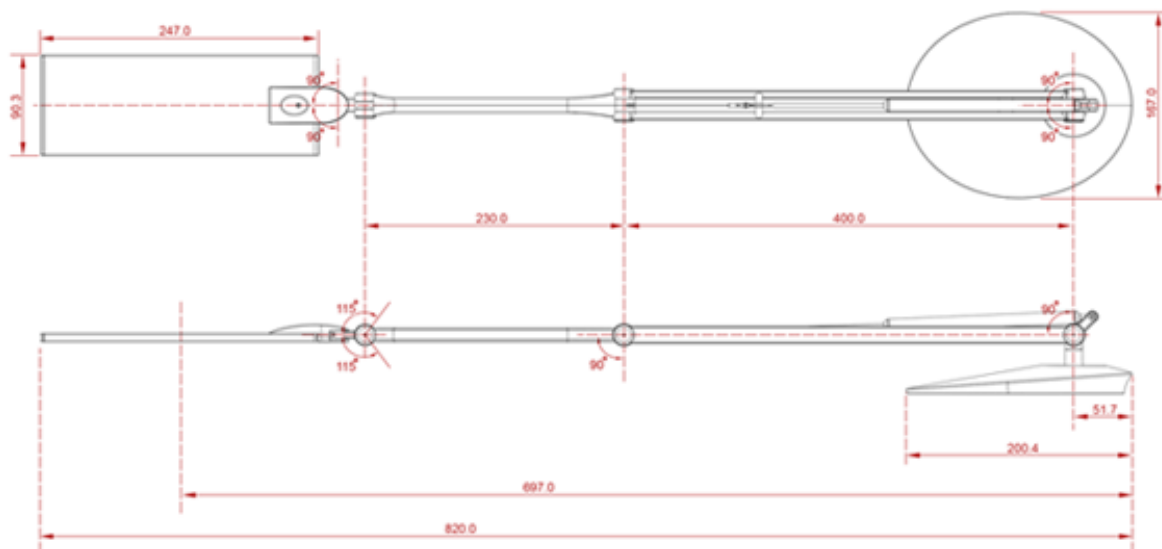
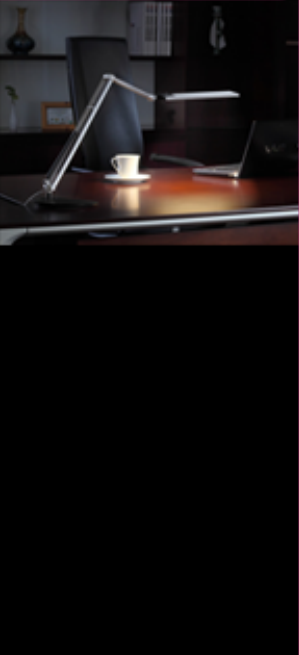
- Partition clamp bracket (aluminum alloy) / suit for "20mm~40mm" thickness partition
- **Touch on/off with light dimmer function**
- With bolt to rotation and then tight it
- **Led supply:** Osram
- **Power consumption:** 7.5w
- **Life hour:** 30000 hrs
- **Input voltage(v):** dc-24v
- **Emitting color:** white
- **Color rendering index:** above 80
- **Color temperature:** 3000k
- **Illumination:** 1200lux (from distance 40cm)
- **Housing material:** aluminum, aluminum alloy.

P-DA40

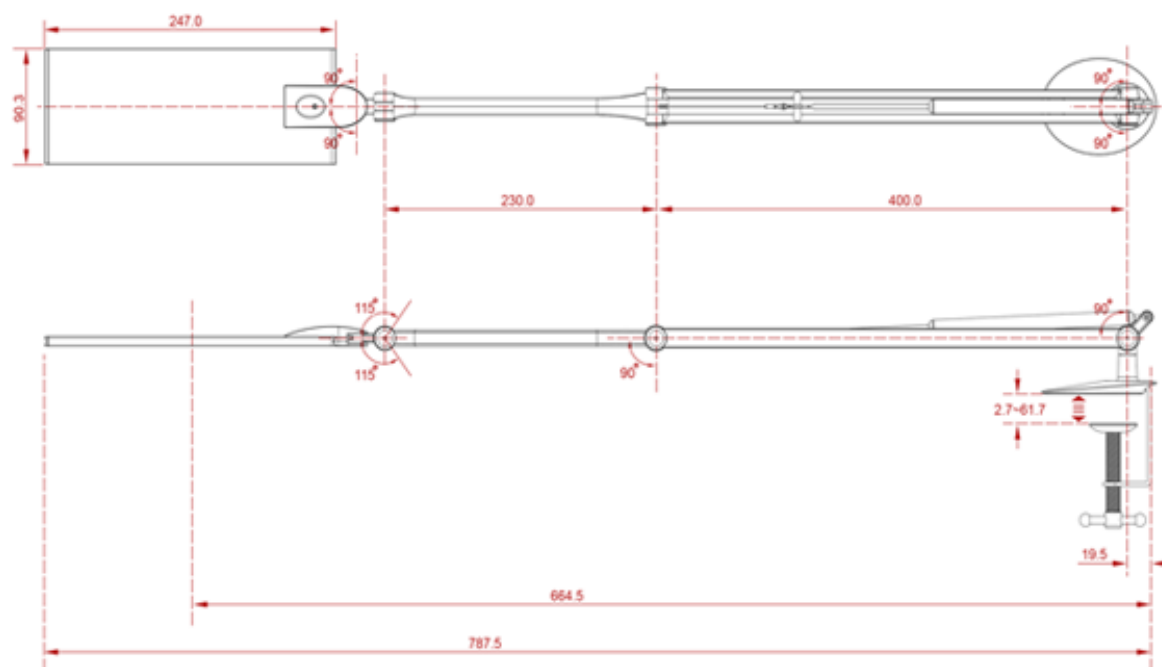


- Free standing type / zinc alloy base
- **Touch on/off with light dimmer function**
- **Power consumption:** 7.5w
- **Life hour:** 30000 hrs
- **Input voltage(v):** dc-24v
- **Emitting color:** white
- **Color rendering index:** above 80
- **Color temperature:** 3000k
- **Illumination:** 1200lux (from distance 40cm)
- **Housing material:** aluminum, aluminum alloy

# F-DA40



# H-DA40



# P-DA40

